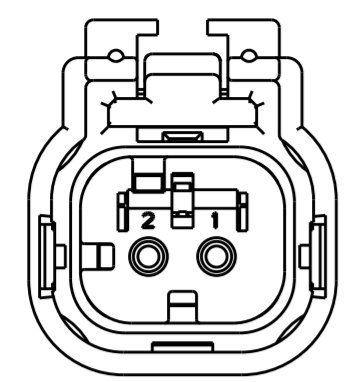
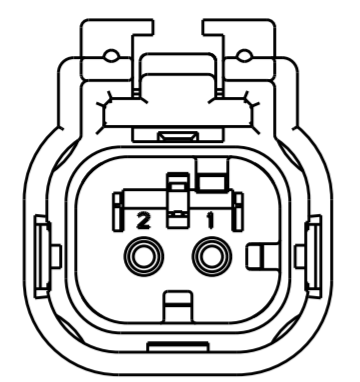


THIS DRAWING IS UNPUBLISHED. RELEASED FOR PUBLICATION 20
 © COPYRIGHT 20 BY - ALL RIGHTS RESERVED.

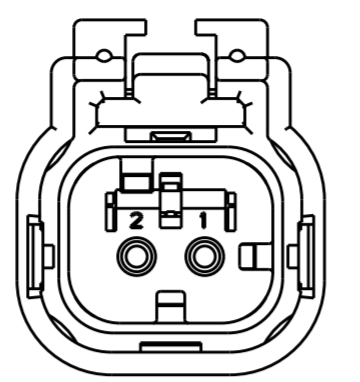
REVISIONS					
P	LTR	DESCRIPTION	DATE	DWN	APVD
	G	REVISED PER ECO-13-019067	05DEC2013	DR	RB



776427-2
SCALE 2:1
KEY B

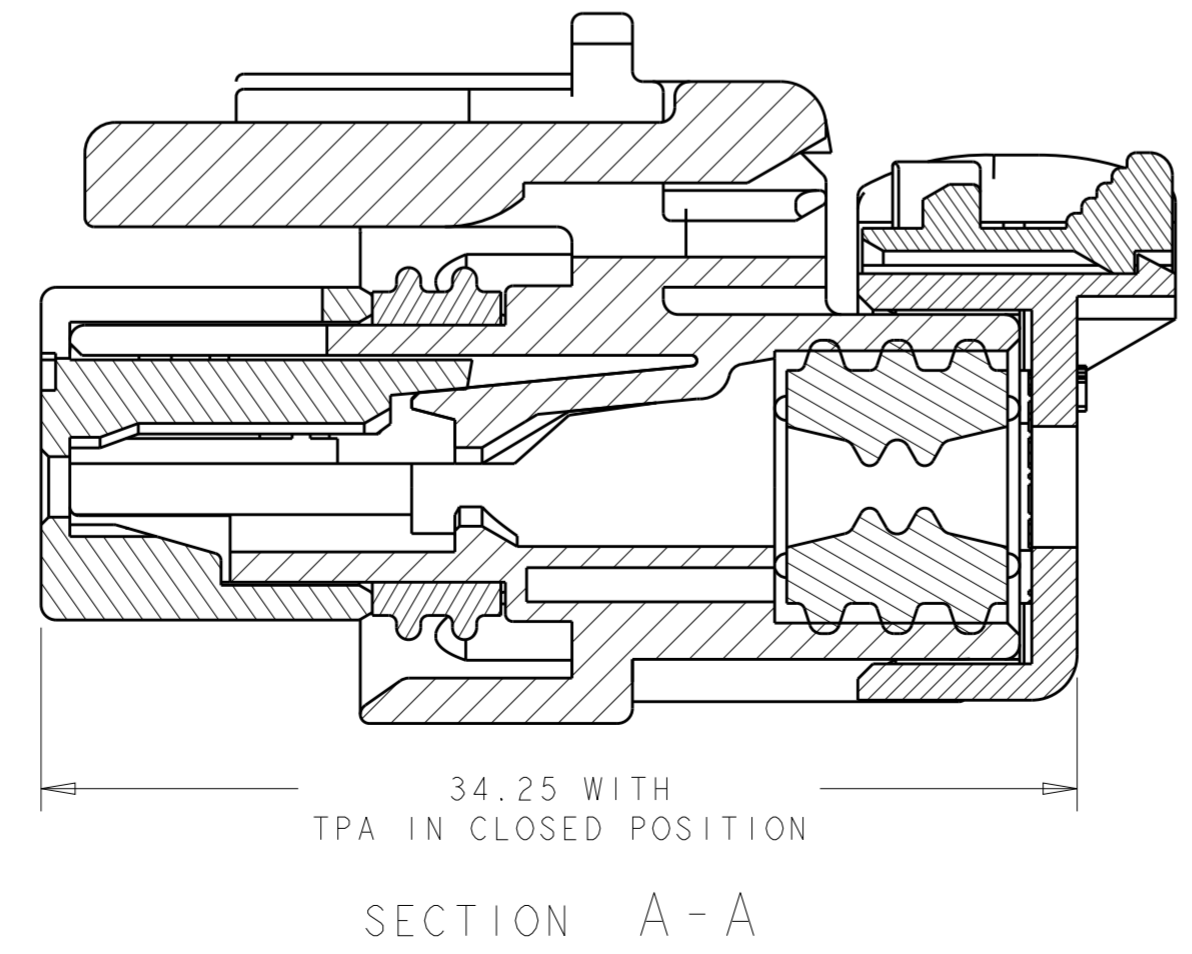
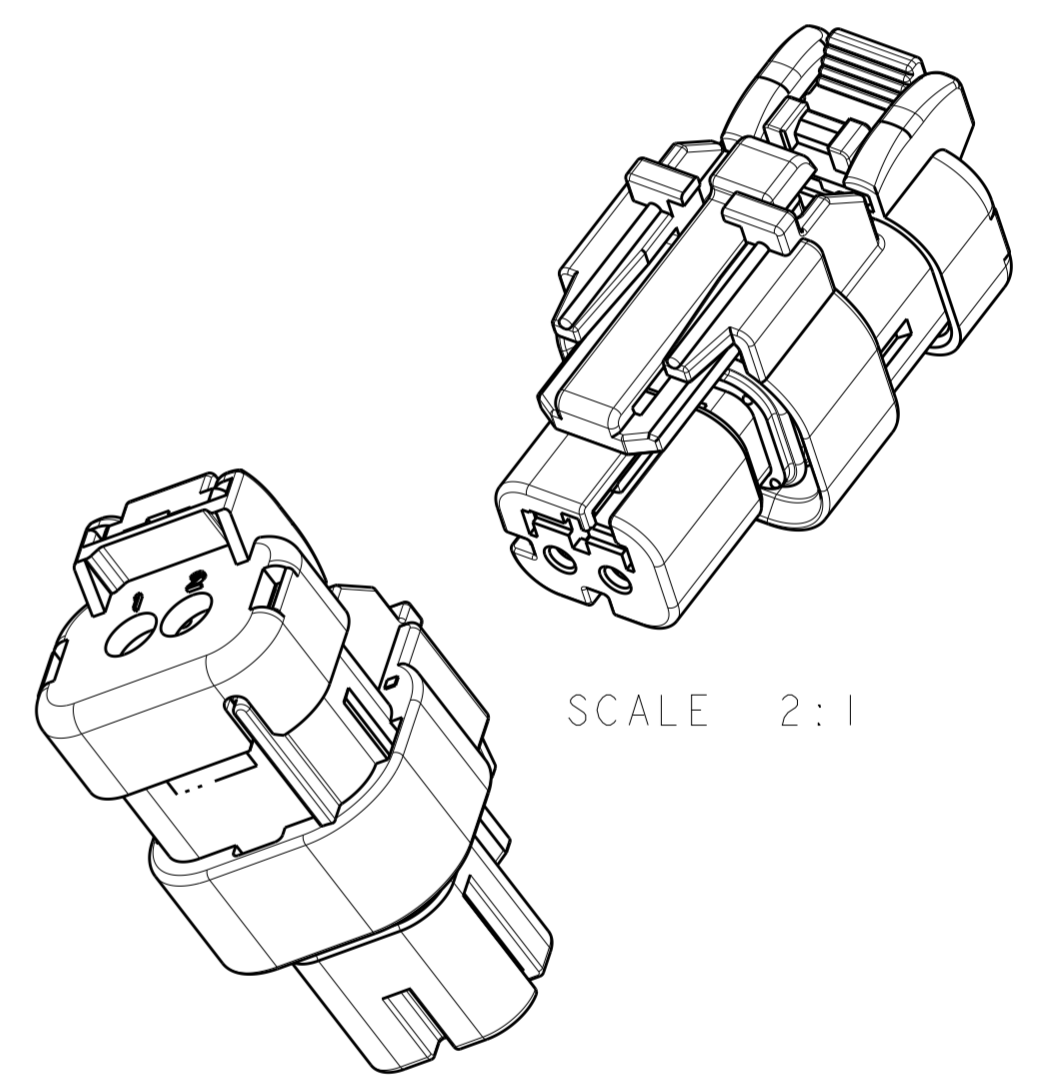
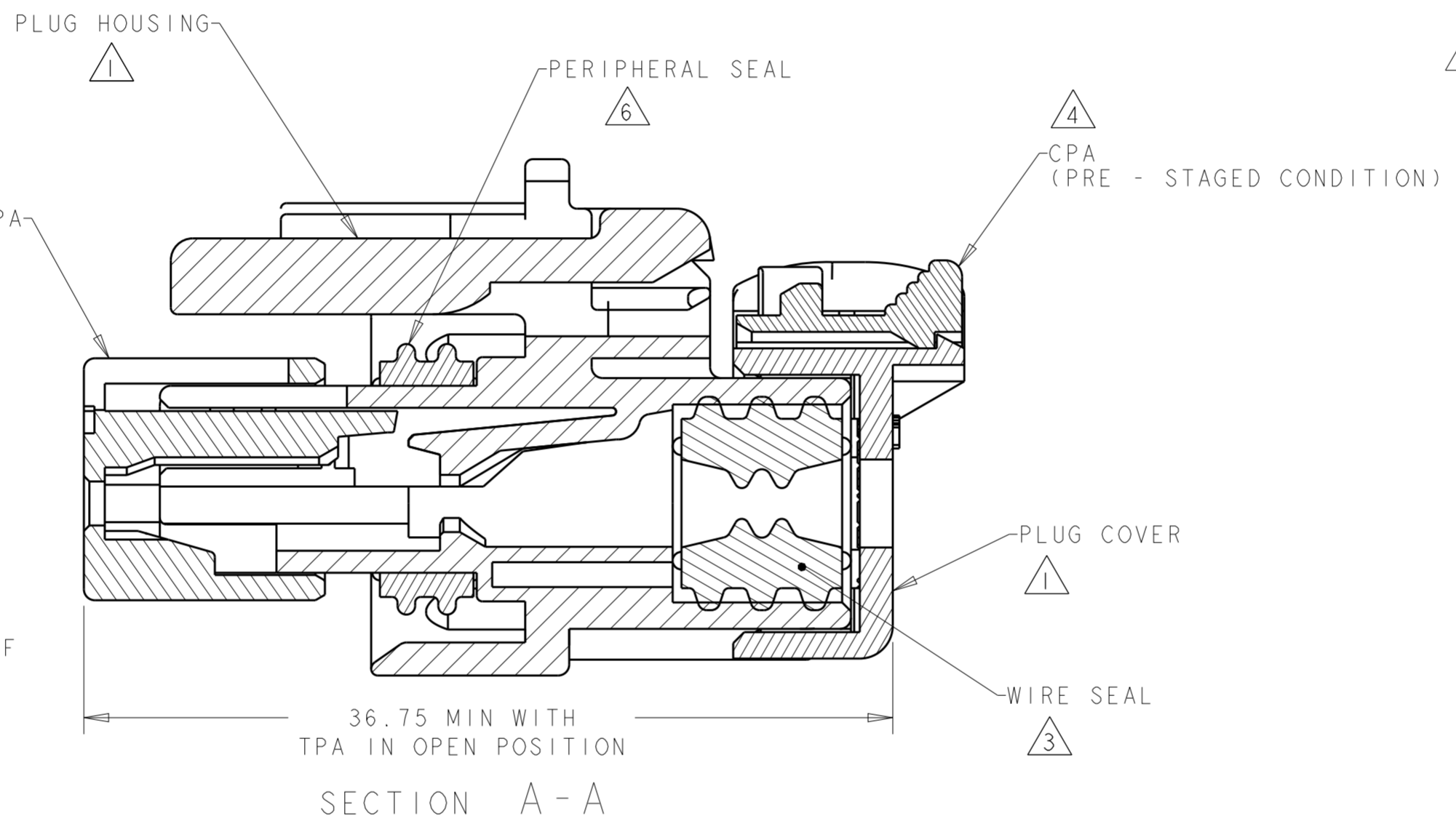
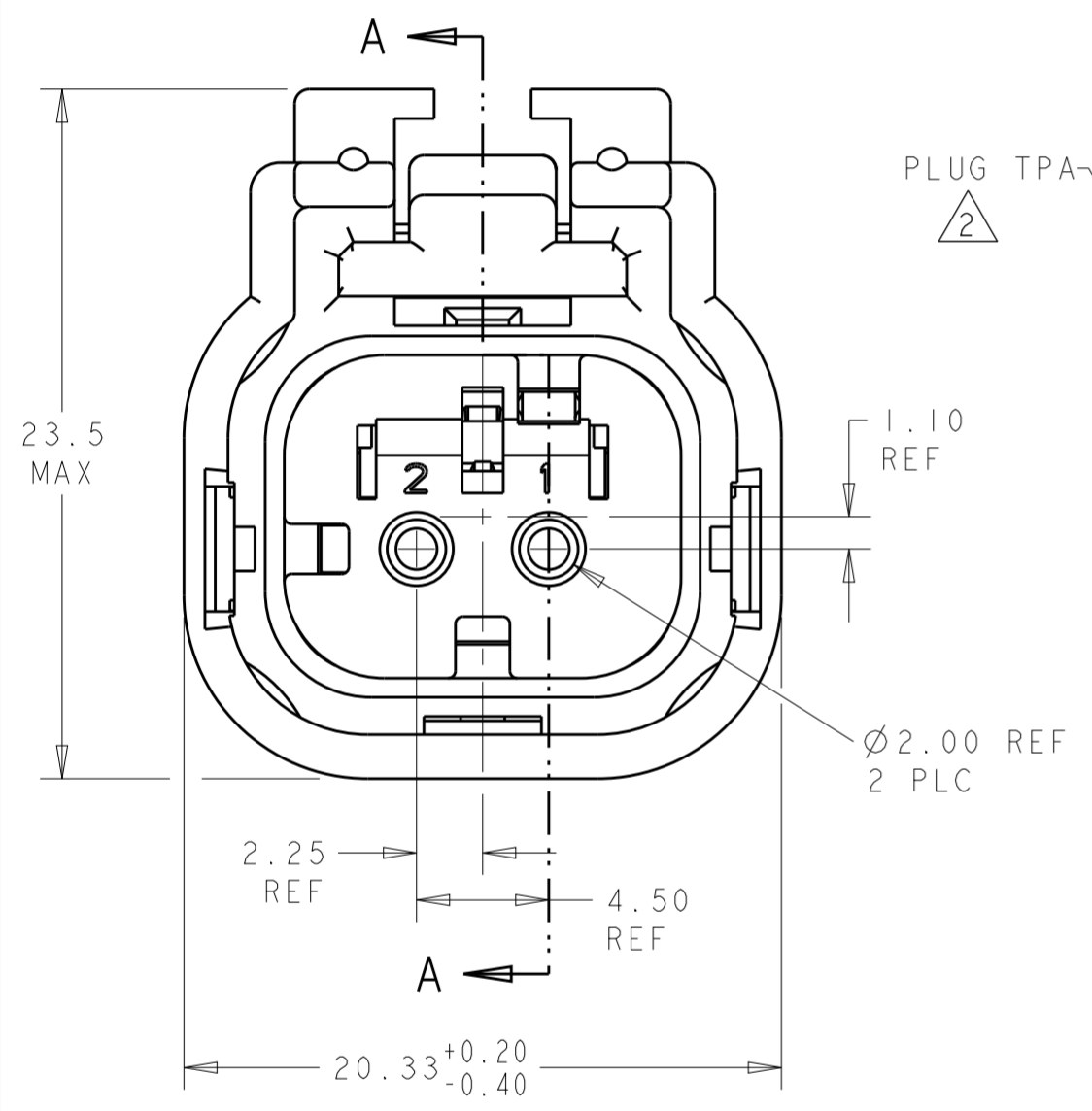


776427-3
SCALE 2:1
KEY C



776427-4
SCALE 2:1
KEY D

- ① MATERIAL: 15% GLASS FILLED THERMOPLASTIC
COLOR: BLACK
- ② MATERIAL: 15% GLASS FILLED THERMOPLASTIC
COLOR: (SEE TABLE)
- ③ MATERIAL: SILICONE
COLOR: MARINE BLUE
- ④ MATERIAL: 15% GLASS FILLED THERMOPLASTIC
COLOR: RED
- 5. RECOMMENDED WIRE DIAMETER RANGE IS 2.18 TO 3.67mm.
- ⑥ MATERIAL: SILICONE
COLOR: BLUE



D	GREEN	776427-4
C	YELLOW	776427-3
B	GRAY	776427-2
A	RED	776427-1
KEY	TPA COLOR	PART NUMBER

THIS DRAWING IS A CONTROLLED DOCUMENT.		DWN AJ GRAFF 22FEB00	STE TE Connectivity	
DIMENSIONS: mm		CHK R GREINER 11DEC01		
TOLERANCES UNLESS OTHERWISE SPECIFIED:		APVD M TRULLI 11DEC01	NAME PLUG ASSEMBLY, 2 POSITION, SINGLE ROW AMPSEAL 16	
0 PLC	±	PRODUCT SPEC 108-2184	SIZE	CAGE CODE
1 PLC	±	APPLICATION SPEC 114-13065	A20779	G-776427
2 PLC	±	WEIGHT 8	SCALE	SHEET
3 PLC	±	Customer Drawing	4:1	OF
4 PLC	±			REV
ANGLES	±			G
FINISH	-			
	-			